

Product Description

The design of the BSB captive mount makes the rubber work in both shear and compression with an optimum balance between rigidity and horizontal stability.

The captive mount is optimised for mobile installations, where stability is the number one priority.

Technical Characteristics

- The top metal part protects the rubber from fuel and oil
- Metal parts are electro galvanised for long life
- Designed as a secured mount to ensure that the top and bottom mounting plates are always connected, even when subjected to high shock loads
- The base plate is marked with mount type and hardness, making them easy to identify even after many years of use

Applications

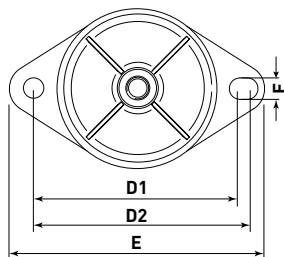
In mobile installations where high stability is required, for example for equipment where the centre of gravity is high relative to the width. The mount is also suitable for installations that are exposed to high wind loads, where it is very important that the mount is of a secured type. This captive mount can also be used for passive isolation of equipment that is near or on machines that vibrate. It could be a control or fuse box that has to be both protected against vibrations and at the same time be secured from falling.

The mount design provides good protection of the rubber against dripping oil and fuel and also gives protection against UV light. The BSB mount will provide excellent vibration isolation to marine and mobile plant equipment, compressors, pumps and fans etc.

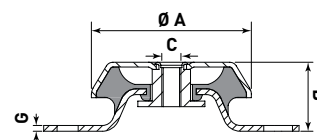
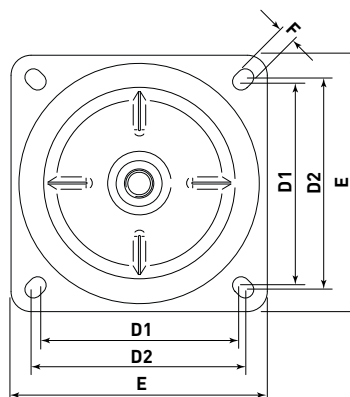


Type	40 Sh. Max Load (kg)	50 Sh. Max Load (kg)	60 Sh. Max Load (kg)	70 Sh. Max Load (kg)
BSB60	70	130	170	245
BSB80 M10	110	161	231	300
BSB80 M12	110	161	231	300
BSB95 M10	180	230	270	330
BSB95 M12	180	230	270	330
BSB110 M12	250	350	450	550
BSB110 M16	250	350	450	550
BSB125	450	550	690	900
BSB150	750	950	1300	1650
BSB150 (rect.)	750	950	1300	1650
BSB160	900	1200	1600	2300
BSB180	1300	1750	2100	2900
BSB220	2500	-	4000	-

BSB060
BSB080
BSB095
BSB110
BSB125
BSB150

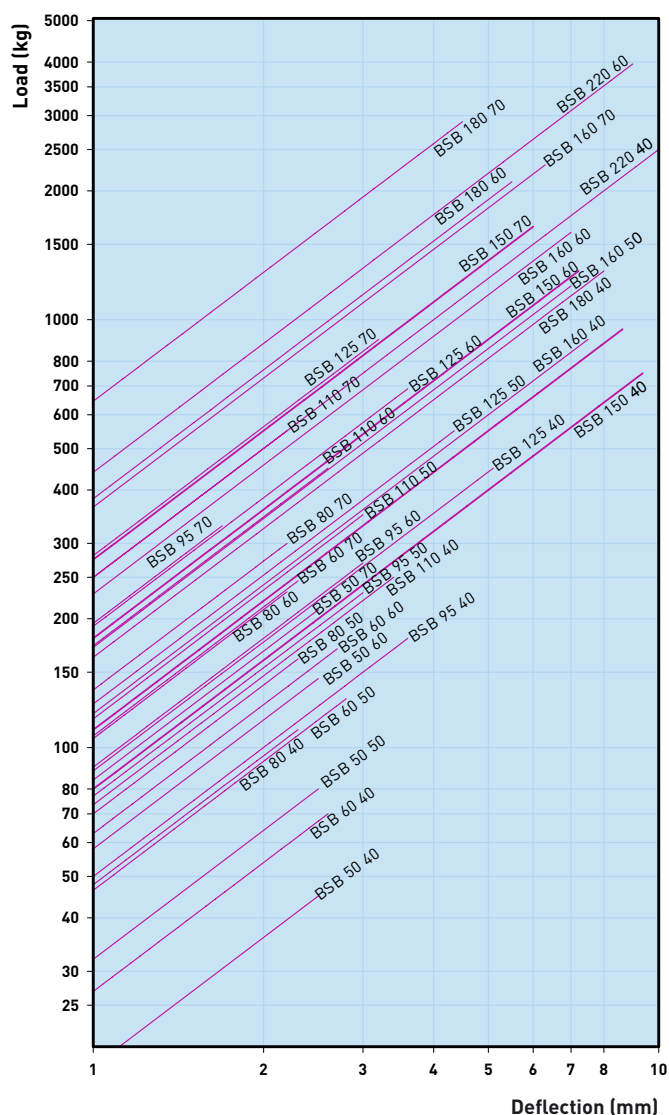
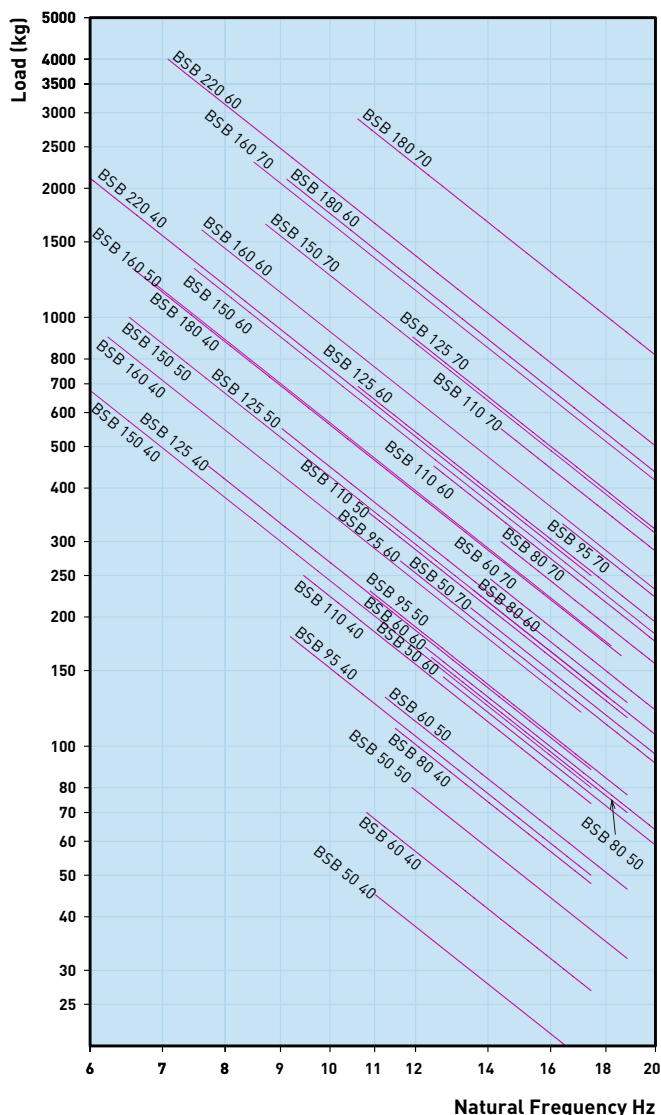


BSB150
BSB160
BSB180
BSB220



Deflection, Static Load

BSB



Type	A Ø (mm)	B (mm)	C	D1 (mm)	D2 (mm)	E (mm)	F (mm)	G (mm)	Weight (g)
BSB60	64	35	M10	76	91	110	9	2.5	235
BSB80 M10	79	30	M10	108	110	130	9	3	355
BSB80 M12	79	30	M12	108	110	130	9	3	351
BSB95 M10	95	35	M10	122	124	150	10	3	488
BSB95 M12	95	35	M12	122	124	150	10	3	488
BSB110 M12	106	37	M16	137	149	170	12.5	3.5	785
BSB110 M16	106	37	M16	137	149	170	12.5	3.5	785
BSB125	124	43	M16	156	158	192	14	3.5	1109
BSB150	155	49	M16	176	188	218	14.5	4	1818
BSB150 RECT	155	49	M16	125	132	164	14.5	4	2060
BSB160	162	59	M20	140	140	170	14.5	4	2177
BSB180	180	66	M20	149	163	192	14.5	4	2914
BSB220	225	105	M24	180	180	220	18.5	6	6716

Errors and Omissions Excepted (E&OE).